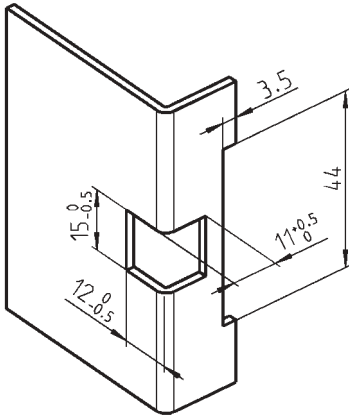
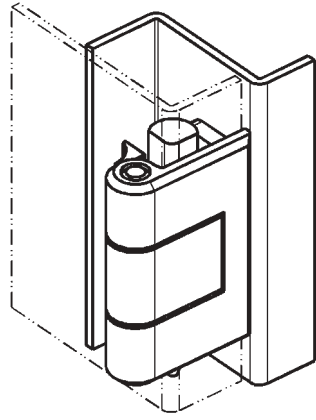


180° hinge for In-line cabinets with adjacent door
25 mm return



Cut out



Assembling:

To fix the hinge just knock-in the clamping pin.

